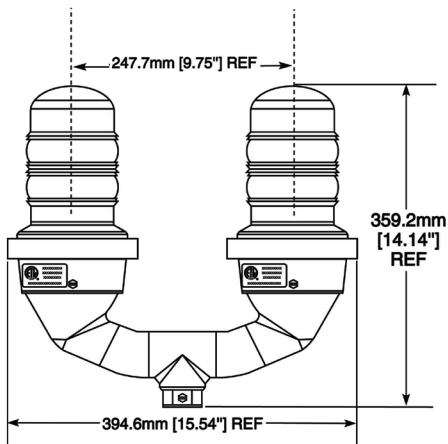
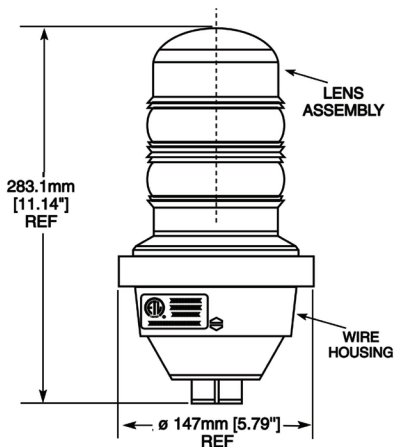


Vigilant LED Based L-810

Low Intensity (Red) Light



Dimensions in inches [mm]

Certifications & Compliance

- IP66
- German Air Traffic Control Notices for Pilots Part I 6, January 2005
- Transport Canada CAR 621.19
- ICAO Annex 14
- DGAC Mexico
- CASA
- Nachrichten für Luftfahrer Teil I Langen, 6. Januar 2005

Features & Benefits

- Superior surge and lightning protection
- Controllers available for all applications
- Ideal for towers, stacks, wind turbines, buildings, etc.
- 360 degree coverage for each flash head
- Shock and vibration resistant
- Lighting kits available for standard towers
- 6kV of surge protection

Mechanical Information:

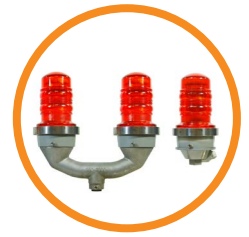
Unit weight:	7.14 lbs (3.23 kg) (Single unit) 16.06 lbs (7.28 kg) (Dual unit)
Wattages:	15W / 120mA (120V AC) +/-10% 16W / 120mA (230V AC-60Hz) +/-15% 16W / (230V AC - 50 Hz) 24W / 2.0A (12V DC - Standard) 20W / 920mA (24V DC) 13W / 275mA (48V DC)
Voltage amp:	44 VA (120V AC) +/-10% 67 VA (230V AC) +/-15%
Operating temperature:	-67°F to +131°F (-55°F to +55°F)

All values typical unless otherwise stated (tolerance +/- 10%)

US Patent #6,425,678 (other patents pending)

Vigilant LED Based L-810

Low Intensity (Red) Light Ordering Information



Part Number	Description	Voltage	Certification / Compliance
860-1R01-001	Single Light	120V AC	FAA (TC) L-810
860-1R02-001	Single Light	230V AC	FAA (TC) L-810
860-1R03-001	Single Light	12V DC	FAA (TC) L-810
860-1R04-001	Single Light	48V DC	FAA (TC) L-810
860-1R05-001	Single Light	24V DC	FAA (TC) L-810
860-1R01-002	Dual Light	120V AC	FAA (TC) L-810
860-1R02-002	Dual Light	230V AC	FAA (TC) L-810
860-1R03-002	Dual Light	12V DC	FAA (TC) L-810
860-1R04-002	Dual Light	48V DC	FAA (TC) L-810
860-1R05-002	Dual Light	24V DC	FAA (TC) L-810
860-5R02-001	Single Light	230V AC	ICAO only, 10cd
860-5R02-002	Dual Light	230V AC	ICAO only, 10cd
860-4R02-001-EU	Single Light	230V AC	ICAO only, 50cd
860-4R02-002-EU	Dual Light	230V AC	ICAO only, 50cd
860-1R02-001-EU	Single Light	230V AC	ICAO only, 32cd
860-1R02-002-EU	Dual Light	230V AC	ICAO only, 32cd
860-6R01-001	Single Light	120V AC	TC only L-810
860-6R01-002	Dual Light	120V AC	TC only L-810
860-7R02-002	Dual Light	230V AC	CASA only, 100cd

¹All candela's are minimums. See www.dialight.com for more information



SafeSite L-810 Red LED Side Light



SafeSite L-810 LED
Steady Burn Visual Signals



SafeSite FLS Flashing Visual Signals

